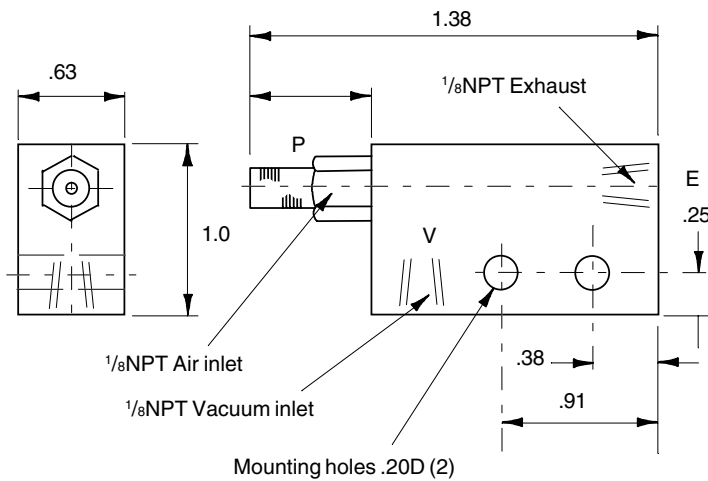
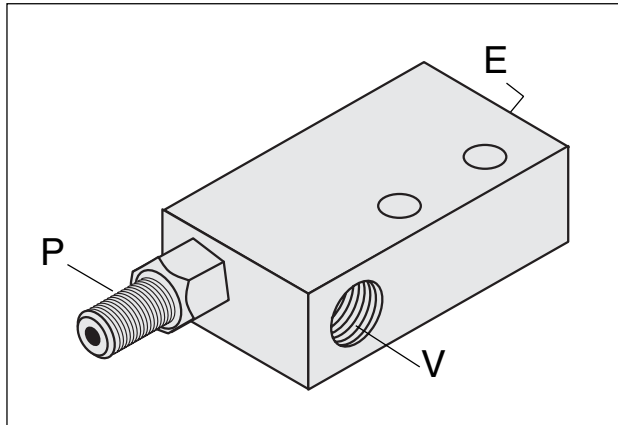


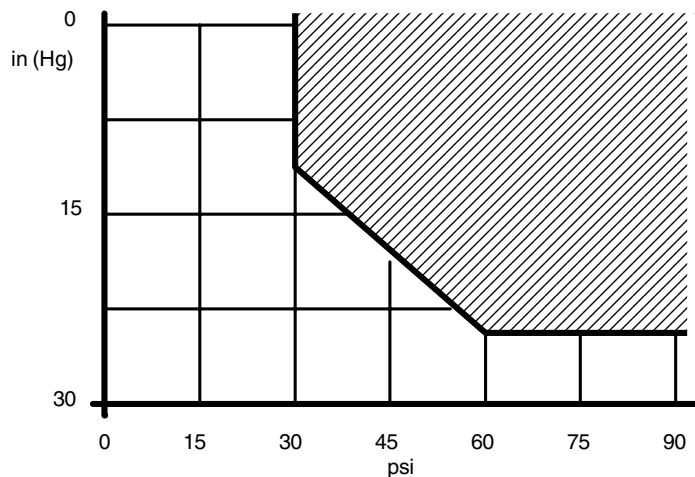
# VG Vacuum Generator



P= Compressed air connection  
V= Vacuum connection  
E= Exhaust

Supply compressed air to "P" and a vacuum will be produced at "V". The amount of vacuum may be controlled by a pressure regulator and flow control valve in the supply line.

Graph of supply pressure vs. vacuum produced



**T**