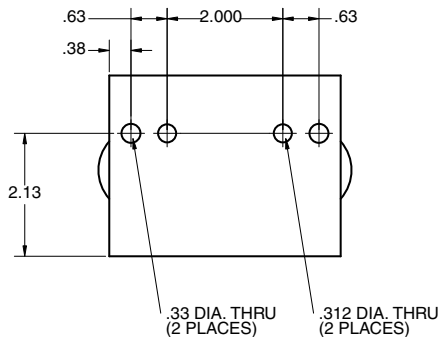
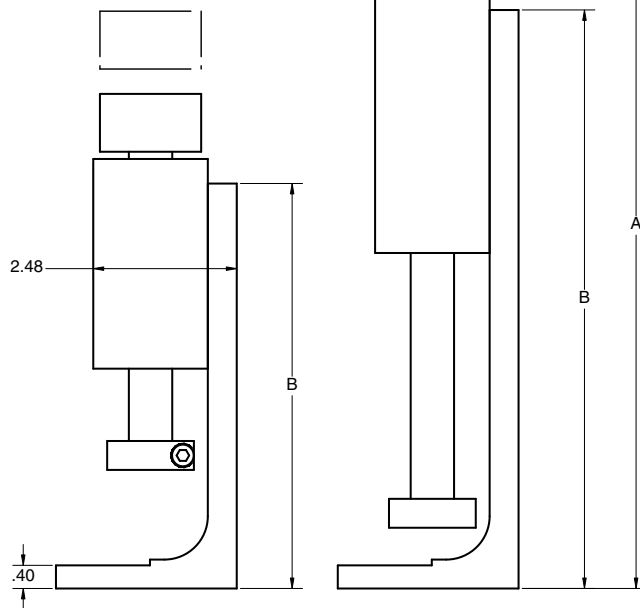
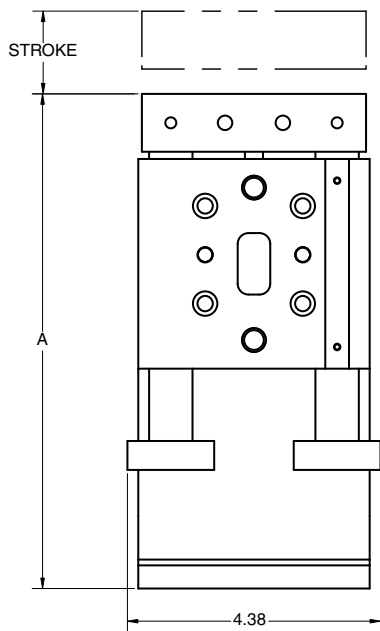
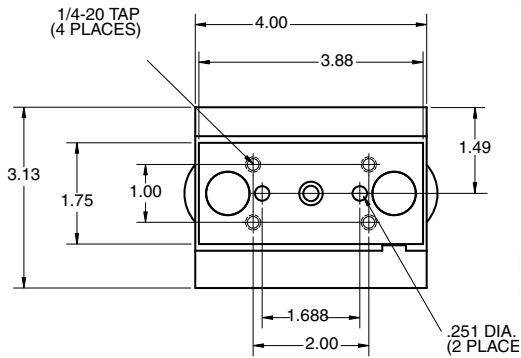


TLT-2 Tuff Lifting Table

Dimensions

See TUFF Series Slide (**TFS-2**) on page 64 for additional specifications.



	A	B	Stroke
TLT-2-10	8.55	7	1.00
TLT-2-20	8.55	7	2.00
TLT-2-30	12.55	10	3.00
TLT-2-40	12.55	10	4.00

K

Technical Data

Force @ 80 PSI = 71 lbs.
 1.125" Dia. Bore
 Available strokes - 1", 2", 3", 4"
 Air Connection = 1/8 NPT
 Air Supply: 60-100 PSI (4-7 Bar)

Maximum Recommended Load F1 = 35 lbs.
 Life expectancy for bearing wear at moderate cycles = 100 million travel inches

