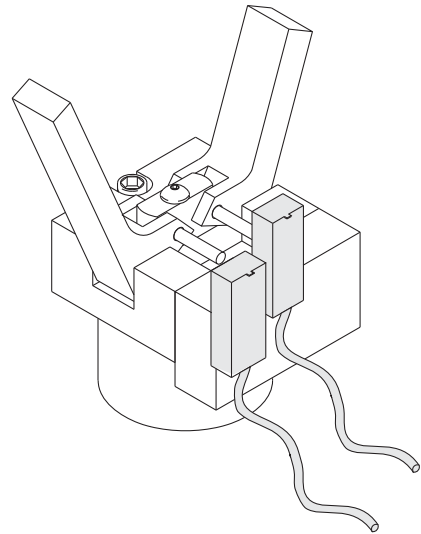


Gripper

**RADIAL MOTION
Double Acting**



B-2S



Proximity sensors
preassembled for
open & closed positions
(see page 17)

TECHNICAL DATA:

Weight	1 lb
Max Rec. Load	6 lbs
Force @ 80 psi	24 lbs @ F
Operating Pressure	60-100 PSI

